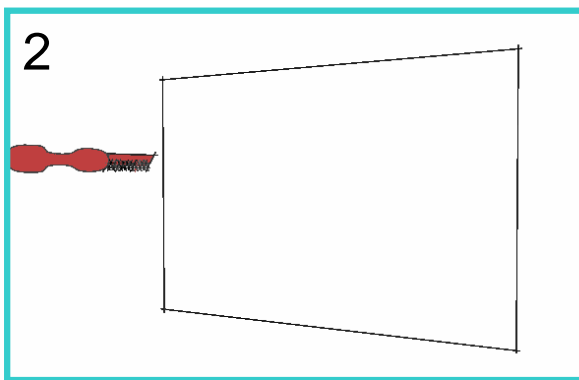
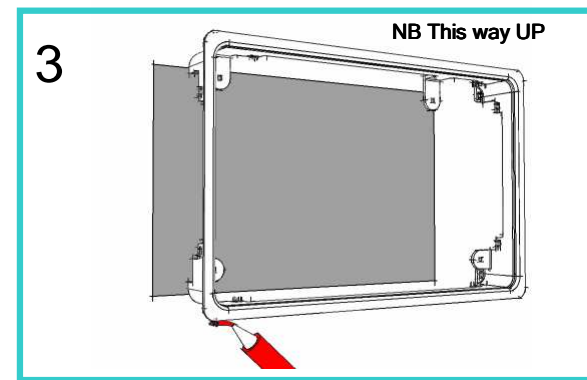


1
Mark Out Cut As Per Template

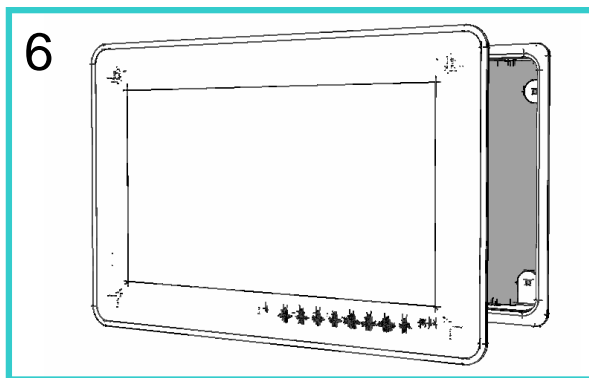
NB: use level to align template



2
Cut As Per Template

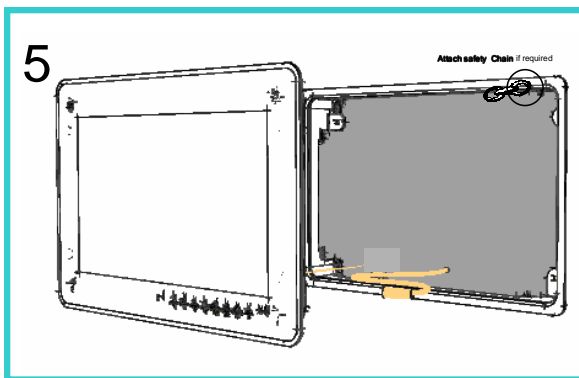


3
Run a Bead of silicon sealer round Frame

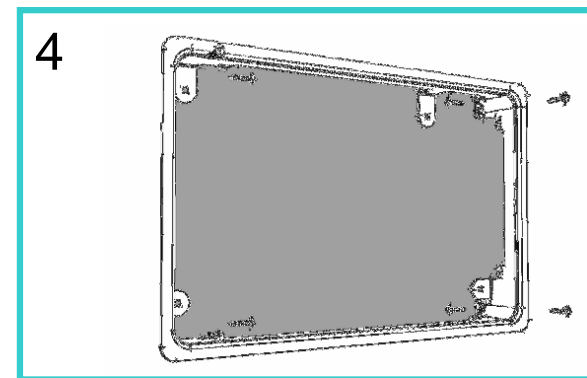


4
Push Screen into frame

NB: Make sure the magnets click



5
Connect Leads



6
Screw in frame

NB: Make sure sealant fills the gap between frame and wall/tile do not over tighten screws as this will distort the frame!



Quick install Guide

NB: We recommend 240v supply is installed outside of the bathroom
Should you require extension cables please contact Videotree